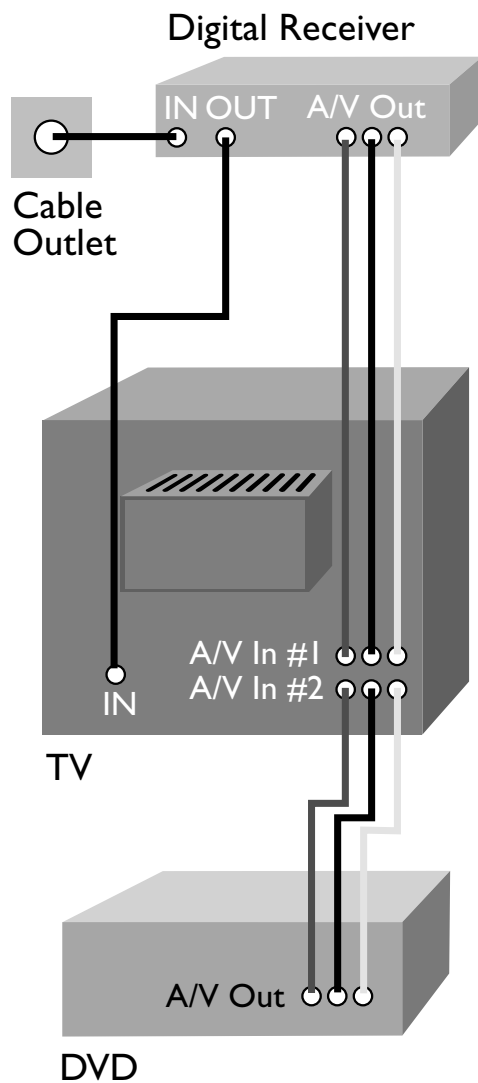
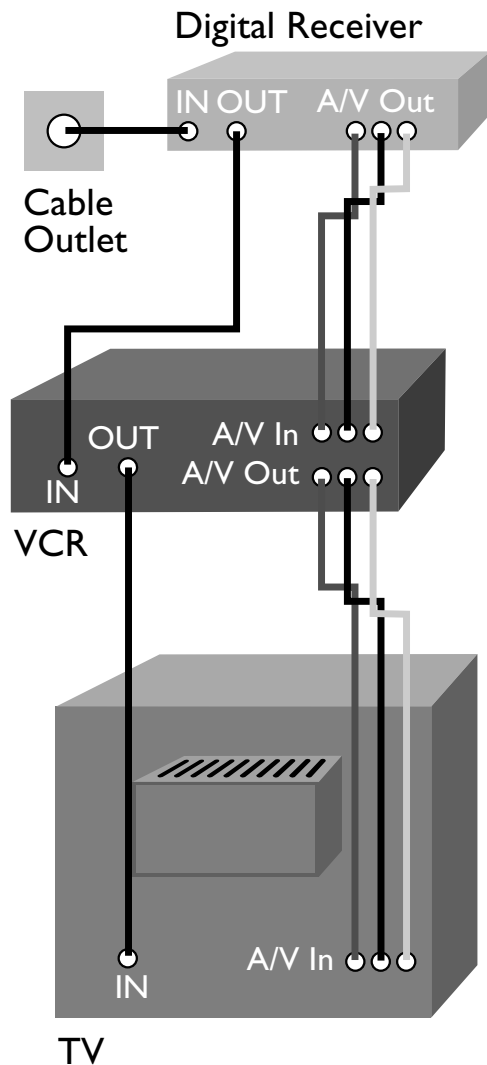


## CONNECTING TO A DVD PLAYER



1. Connect the coaxial cable from the wall to **IN** of the digital receiver.
2. Connect the coaxial cable from **OUT** on the digital receiver to **IN** of the TV.
3. Connect the A/V cables from **AUDIO OUT** jacks on the digital receiver to the **AUDIO IN (#1)** on the TV. Connect the cables red to red, white to white, and yellow to yellow.
4. Connect the A/V cables from **AUDIO OUT** jacks on the DVD to the **AUDIO IN (#2)** on the TV.

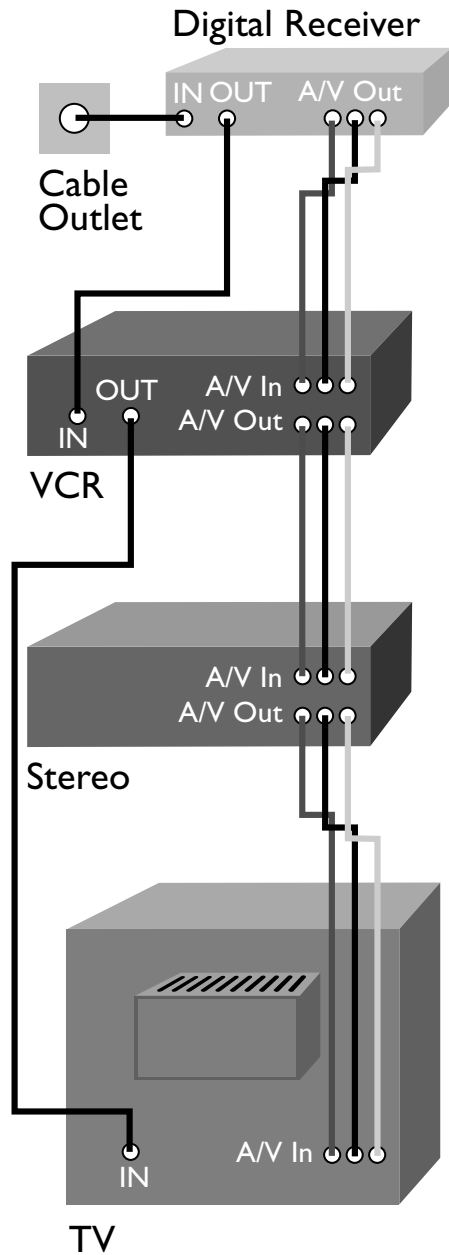
## CONNECTING A VCR



1. Connect the coaxial cable from the wall to **IN** of the digital receiver.
2. Connect the **COAXIAL CABLE OUT** from the digital receiver to **IN** of the VCR.
3. **COAXIAL CABLE OUT** from the VCR to **IN** of the TV.
4. Connect the A/V cables from the **AUDIO OUT** jacks on the digital receiver to the **AUDIO IN** jacks on the VCR. Connect the cables red to red, white to white, and yellow to yellow.
5. Connect the A/V cables from the **AUDIO OUT** jacks on the VCR to the **AUDIO IN** jacks on the TV.

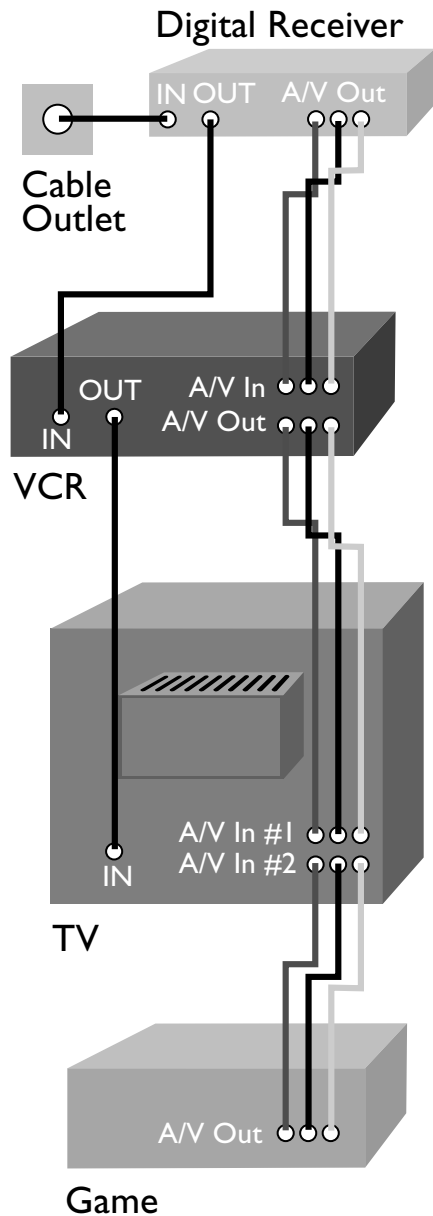


# CONNECTING A STEREO



1. Connect the coaxial cable from the wall to your digital receiver.
2. Connect the **CABLE OUT** from the digital receiver to **IN** of the VCR.
3. Coaxial the **CABLE OUT** from the VCR to **IN** of the TV.
4. Connect the audio/video (A/V) cables from the **AUDIO OUT** jacks on the digital receiver to the **AUDIO IN** jacks on the VCR. Be sure to connect these cables red to red, white to white and yellow to yellow.
5. Connect the A/V cables from the **AUDIO OUT** jack on the VCR to the **AUDIO IN** jacks on the back of the stereo.
6. Connect the A/V cables from **AUDIO OUT** on the stereo to the **AUDIO IN** jacks on the TV.

## CONNECTING A GAME SYSTEM



1. Connect the coaxial cable from the wall to **IN** of the digital receiver.
2. Connect the **COAXIAL CABLE OUT** from the digital receiver to **IN** on the VCR.
3. Connect the **COAXIAL CABLE OUT** from the VCR to **IN** on the TV.
4. Connect the A/V cables from **AUDIO OUT** jacks on the digital receiver to the **AUDIO IN** jacks on the VCR. Connect the cables red to red, white to white, and yellow to yellow.
5. Connect the A/V cables from **AUDIO OUT** jacks on VCR to the **AUDIO IN (#1)** on the TV.
6. Connect the A/V cables from **AUDIO OUT** jacks on game system to the **AUDIO IN (#2)** on TV.